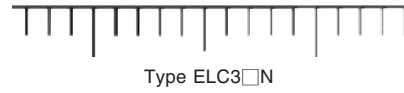


SMD Choke Coils

Singapore

Series: **N**

Type: **ELC3□N**



■ Features

- Low DC resistance and large current capability
- Available on tape and reel for automatic insertion
- Shock resistant

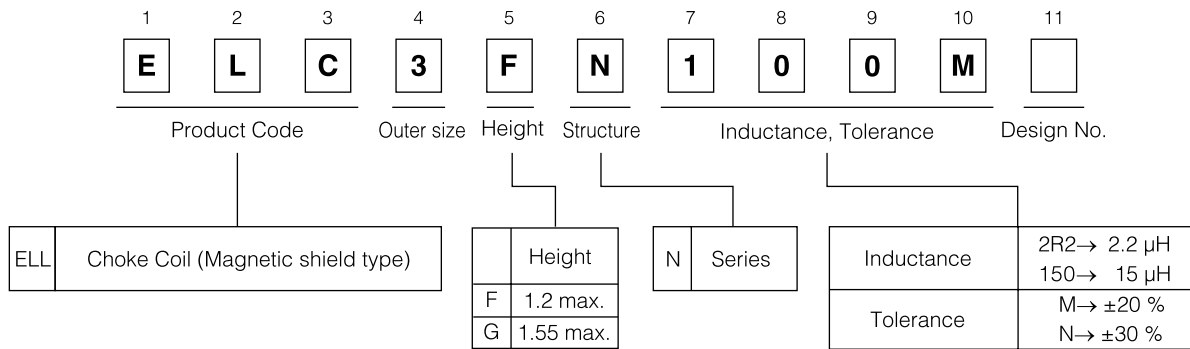
■ Recommended Applications

- DC/DC converter circuitry for computer peripherals and cellular hand sets.
- Chopper circuit decoupling chokes in DC/DC converter circuitry

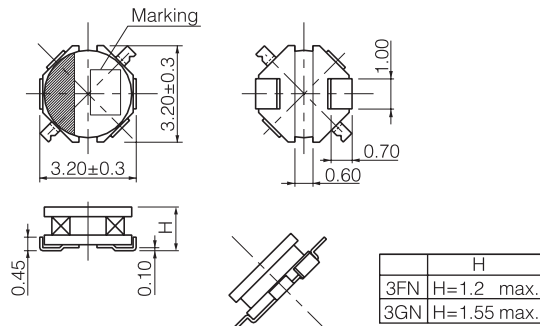
■ Standard Packing Quantity

- 2000 pcs./Reel

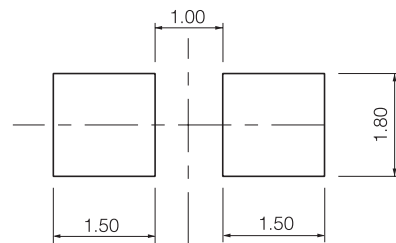
■ Explanation of Part Numbers



■ Dimensions in mm (not to scale)



■ Recommended land patterns in mm (not to scale)



NEW

■ Standard Parts

Part Number	Inductance (100kHz)		R _{DC} (at 20 °C)		*Rated Current (mA max.)	Marking
	(μH)	Tol.	(mΩ)	Tol.		
ELC3FN1R0N	1.0	±30%	80	±20%	1400	A
ELC3FN1R8N	1.8		110		1100	C
ELC3FN2R2N	2.2		120		1000	D
ELC3FN2R7N	2.7		150		950	E
ELC3FN3R9N	3.9		240		770	F
ELC3FN4R7N	4.7		280		750	H
ELC3FN5R6N	5.6		310		680	I
ELC3FN6R8N	6.8		360		620	K
ELC3FN7R5N	7.5		390		600	L
ELC3FN100M	10.0	±20%	430		530	M
ELC3FN150M	15.0		1000		370	O
ELC3FN220M	22.0		1180		330	R
ELC3FN330M	33.0		1900		260	T
ELC3FN470M	47.0		2450		230	V
ELC3FN680M	68.0		4200		170	X
ELC3GN1R0N	1.0	±30%	64		1300	A
ELC3GN1R6N	1.6		83		1200	C
ELC3GN2R2N	2.2		100		1000	D
ELC3GN3R3N	3.3		130	970	M	
ELC3GN4R7N	4.7		200	760	E	
ELC3GN6R8N	6.8		250	680	H	
ELC3GN8R2N	8.2		410	540	L	
ELC3GN100M	10.0		±20%	430	530	M
ELC3GN150M	15.0	600		430	O	
ELC3GN220M	22.0	950		330	R	
ELC3GN330M	33.0	1400		280	T	
ELC3GN470M	47.0	1950		240	V	
ELC3GN680M	68.0	3000		190	X	

* Current: This indicates the value of current when the inductance is 70% of nominal value and case temperature has risen 45 °C (at 20°C)

■ Embossed Carrier Tape Dimensions in mm (not to scale)

